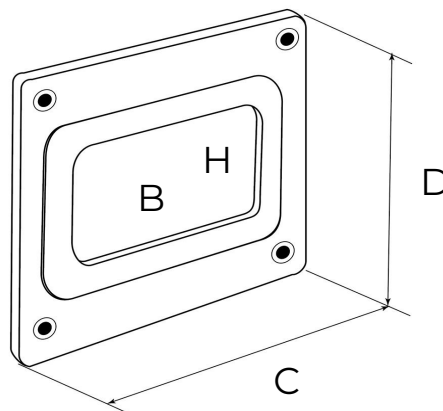
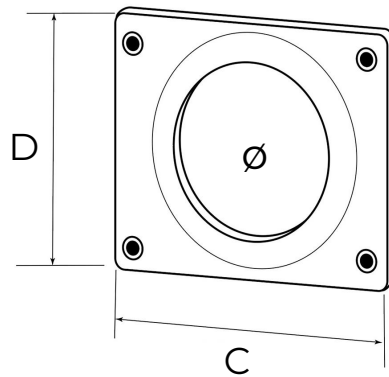


White duct system



Item	Colour	BxH mm	CxD mm	∅ mm
CF1916100B	white	-	190x160	100-125
CF1916126B	white	120x60	190x160	-

Description: Hole cover wall plate

Material: ABS plastic

Features: The hole cover prevents any cracks in the wall from being seen after coring. It is part of the ducted ventilation system which allows rapid evacuation of vapors (max 80°C) and unpleasant odors from environments such as the kitchen or bathrooms and a healthy exchange of air.

