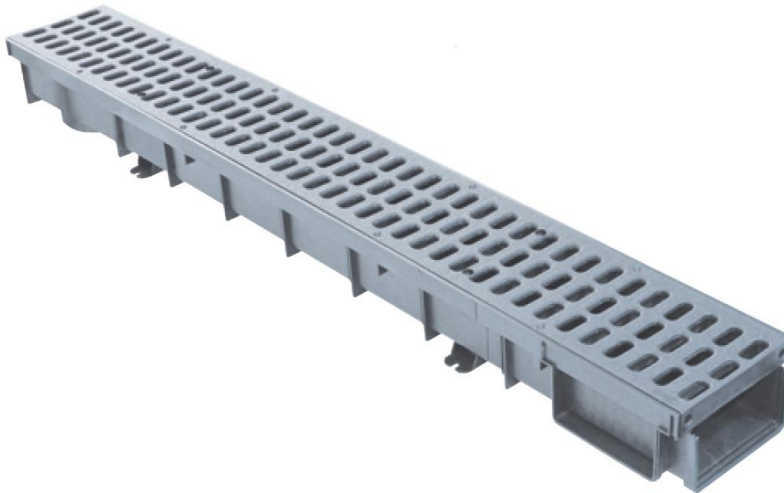


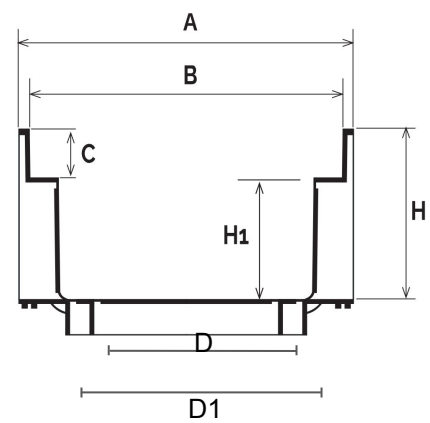
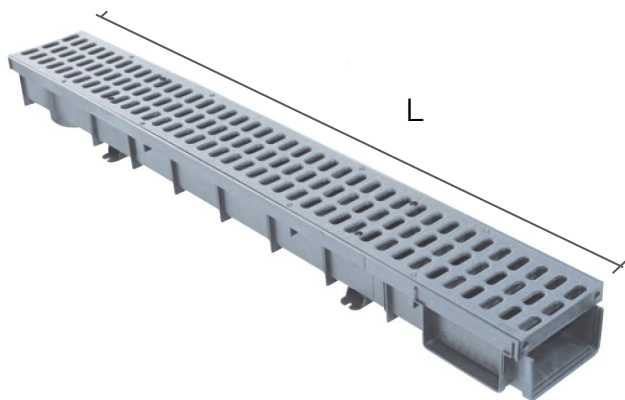
## Channel 130 PRATIKO EASY



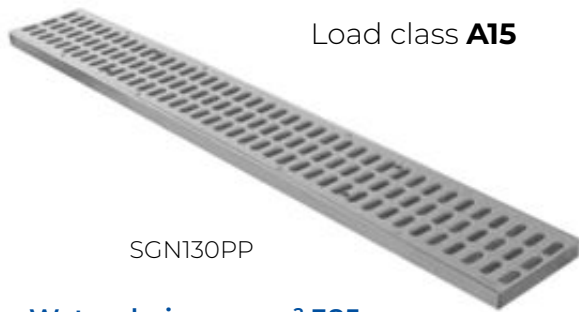
CSBSGN130PP

Item
<b>CSBSGN130PP</b>

The item **CSBSGN130PP** is composed of the following products:  
 n. 1 = CSB130PP  
 n. 1 = SGN130PP



Item	A mm	B mm	C mm	D mm	D1 mm	H mm	H1 mm	L mm
<b>CSB130PP</b>	138	130	20	80M-100M	75M-110M	70	50	1000

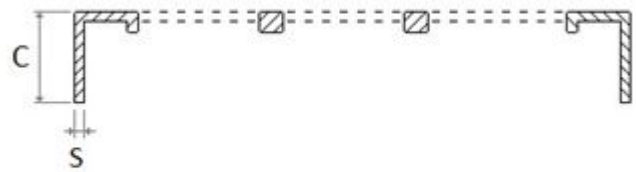


Load class **A15**

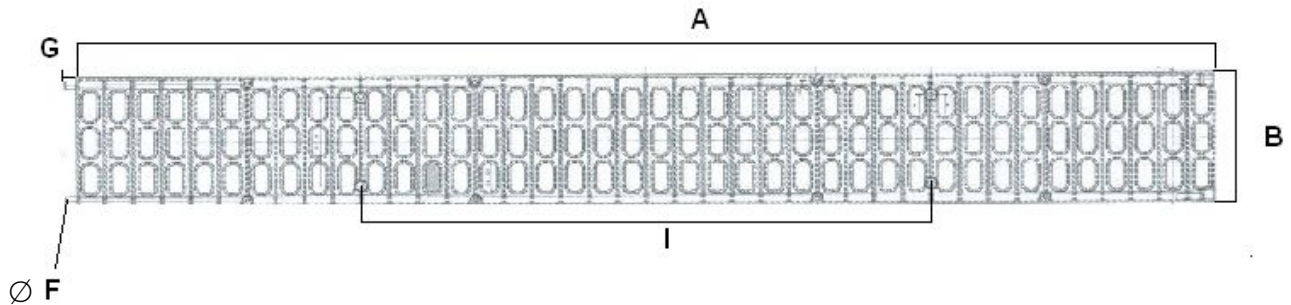
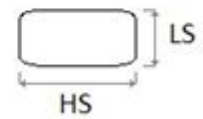
SGN130PP

Water drainage cm<sup>2</sup> 385

GRID SECTION



SLOT



Item	A mm	B mm	C mm	HS mm	LS mm	F Ø mm	G mm	I mm	S mm	Weight g
<b>SGN130PP</b>	1000	129	20	28	12	7,6	10	500	2,1	611

**Material:** CSB130PP "Polypropylene" - SGN130PP "Polypropylene"

**Features:** The channels allow you to solve all rainwater drainage problems within car parks, courtyards, yards and garages.

