

## Grate for drainage channel 200 **PRATIKO**



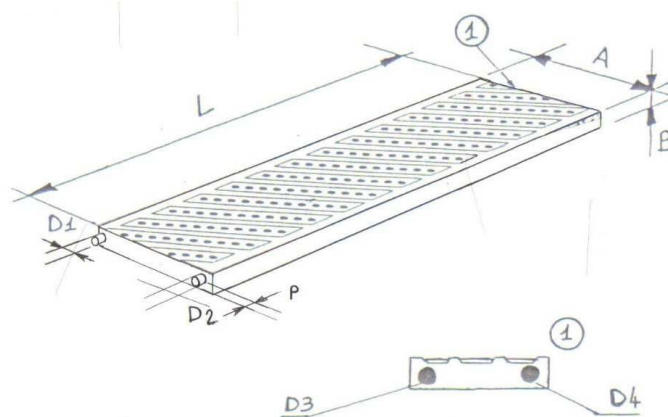
GRP200G



GRP200S



GRP200B



Item	A mm	B mm	D1 - D2 mm	∅ D3 - D4 mm	L mm	P mm	Weight g
<b>GRP200G</b>	199	20	7,9	7,9	500	9,4	922
<b>GRP200S</b>	199	20	7,9	7,9	500	9,4	922
<b>GRP200B</b>	199	20	7,9	7,9	500	9,4	922

**Material:** PVC-U

**Colour:** GRP200G Grey - GRP200S Sand - GRP200B White

**Features:** The anti-heel grate for swimming pools is complete with CE marking, in compliance with the UNI EN 1433 standard.

- Load class A15
- Slipperiness class (UNI EN13451-1:2011 - app. F) 12°
- Section 118 cm<sup>2</sup> of water drainage (298 slots of ∅ 7,1 mm)

The holes diameter of water drainage (7.1 mm i.e. < 8 mm) complies with UNI EN13451-1:2011 standard with reference to the anti-entrapment requirement.

