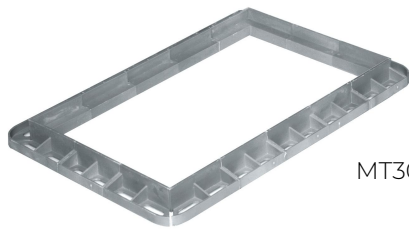
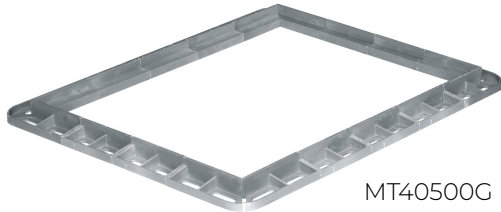


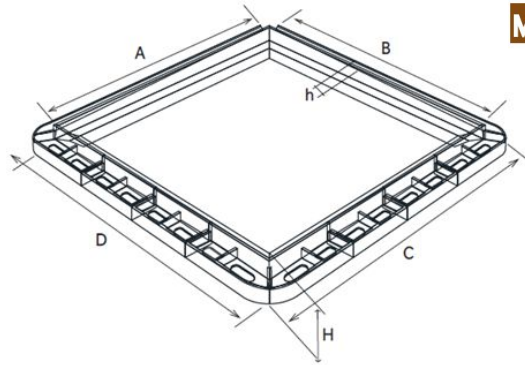
Glass fiber reinforced nylon frames



MT30500G



MT40500G



Item	A mm	B mm	C mm	D mm	h mm	H mm	Weight g
MT13999G	1012	142	1092	222	20	39	1480
MT20999G	1012	212	1092	292	20	39	1570
MT30500G	512	312	592	392	20	39	1035
MT30999G	1012	312	1092	392	20	39	1700
MT40500G	512	412	592	492	20	39	1170
MT40999G	1012	412	1092	492	20	39	1830
MT65200G	212	662	292	742	20	39	1035
MT65500G	512	662	592	742	20	39	1510
MT65650G	662	662	742	742	20	39	1715
MT65999G	1012	662	1092	742	20	39	2170

Material: Glass fiber reinforced nylon

Colour: Grey

Features: MULTIGRIL frames are composed of modular elements coupled together by interlocking.

