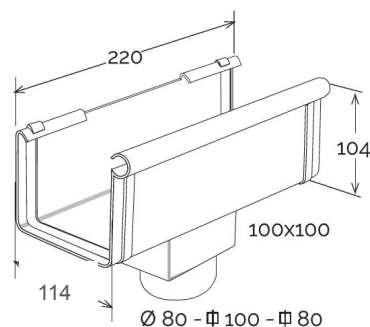
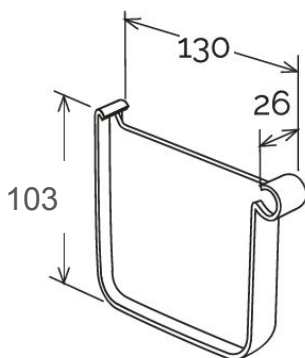


Running outlet stopend for gutter profile 100x110



TGSQM



GSQ

Item	Colour	length mm	width mm	height mm	Weight g	Matched running outlet	IIP compliance UNI EN 607:2023
TGSQGN	grey	130	26	103	54	GSQGN	✓
TGSQM	brown	130	26	103	54	GSQM	✓

Material: PVC-U

Features: The stopend must be glued to the running outlet by inserting it into the specific socket.
Clean the surfaces, then use PVC sealant glue (COFxxx).

