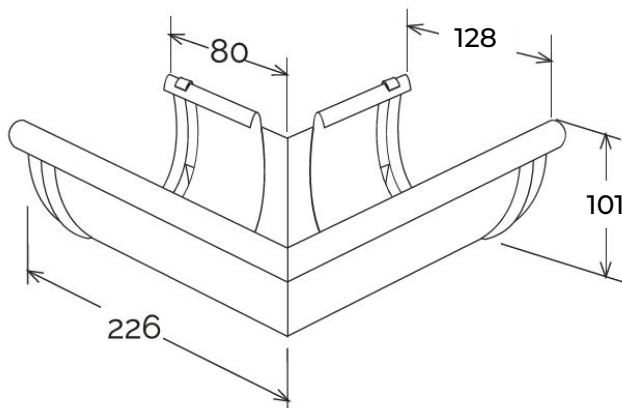
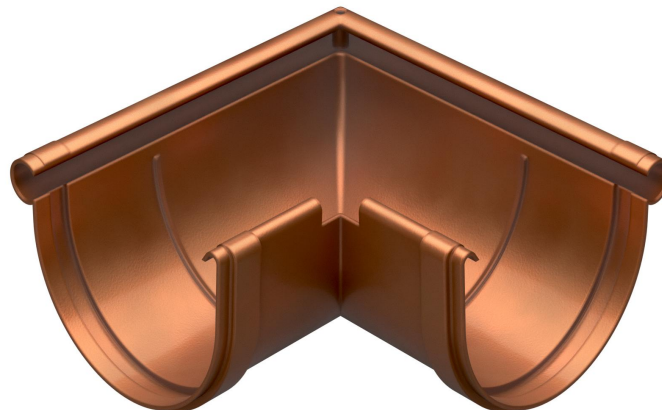


Exterior angle for gutter profile ø 145 **CUPRAELITE**

CUPRAELITE



Item	Colour	length mm	width mm	height mm	Weight g	Matched gutter profile
AE145R	copper effect	226	226	101	220	GR145R3

Material: Technopolymers

Features: The angle must be glued to gutter profiles by inserting it into the specific sockets. Clean the surfaces, then use PVC sealant glue (COFxxx).

