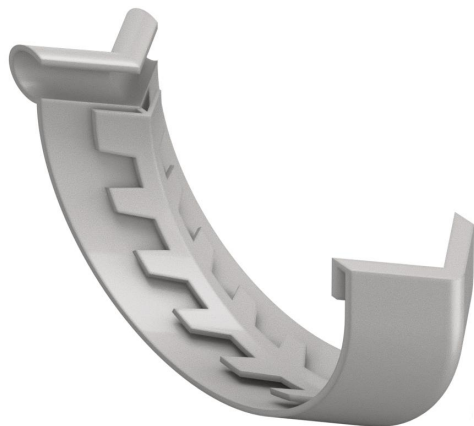
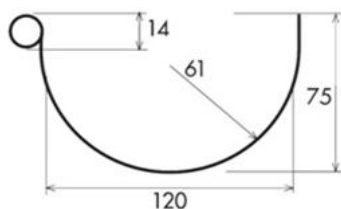


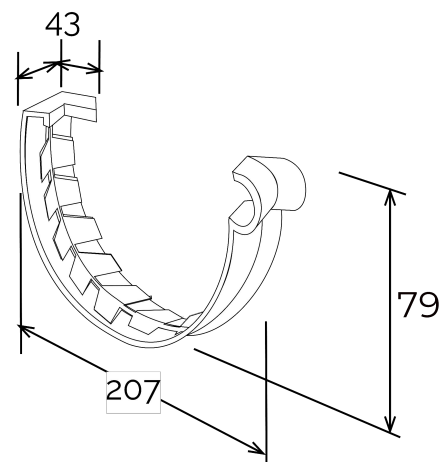
Interior angle for gutter profile \varnothing 125



AIN125N



Section GRN125



Item	Colour	length mm	width mm	height mm	Weight g	Matched gutter profile
AIN125B	white	207	50	83	79	GRN125B - GRN125BC
AIN125M	brown	207	50	83	79	GRN125M - GRN125MC
AIN125N	grey	207	50	83	79	GRN125N
AIN125S	sand	207	50	83	79	GRN125S

Material: PVC-U

Features: The angle must be glued to gutter profiles by inserting it into the specific sockets. Clean the surfaces, then use PVC sealant glue (COFxxx).

