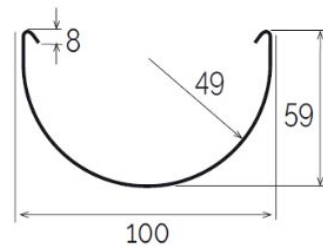
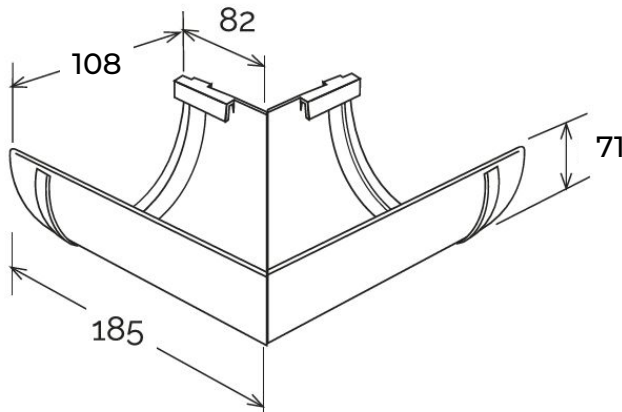
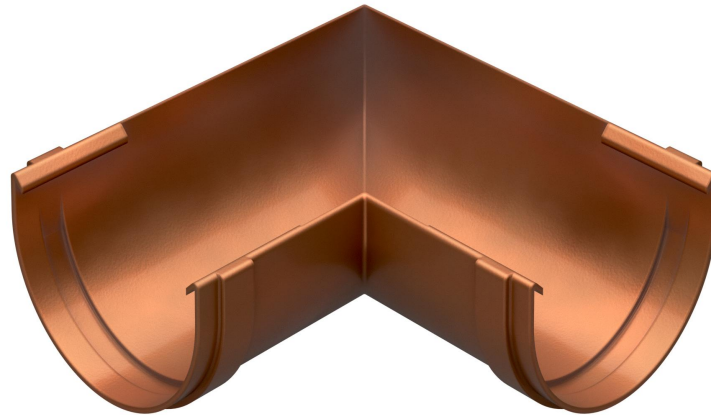


Single angle BI-SYSTEM for gutter profile ø 100 **CUPRAELITE**

BI-SYSTEM

CUPRAELITE



Section GR100

Item	Colour	length mm	width mm	height mm	Weight g	Matched gutter profile
AN100R	copper effect	185	185	71	150	GR100R2

Material: Technopolymers

Features: The single angle can be used both for internal and external angle.
GLUING: The angle must be glued to the gutter by inserting it into the specific sockets. Clean the surfaces, then use PVC sealant glue (COFxxx).
FITTING: Clean the surfaces, then place the adhesive gasket (GU14) into its specific slot. Insert the gutter into the specific sockets.

