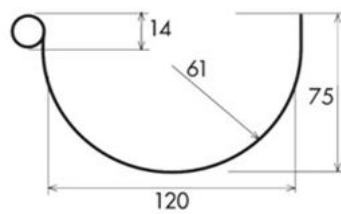
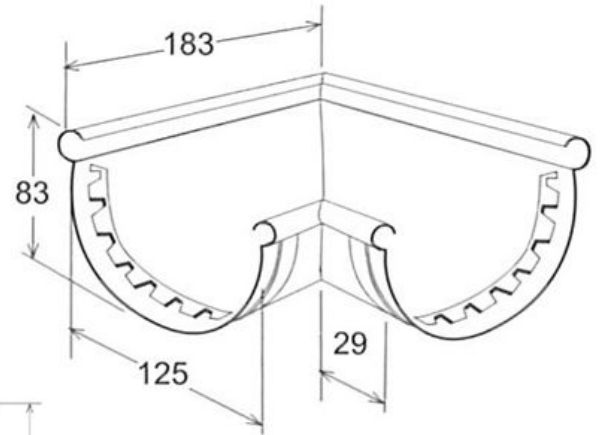


## Single angle for gutter profile $\varnothing$ 125



AN125M



Section GRN125

Item	Colour	length mm	width mm	height mm	Weight g	Matched gutter profile
AN125AN	anthracite	183	183	83	170	GRN125AN
AN125B	white	183	183	83	170	GRN125B - GRN125BC
AN125M	brown	183	183	83	170	GRN125M - GRN125MC
AN125N	grey	183	183	83	170	GRN125N
AN125O	red brown	183	183	83	170	GRNO125C
AN125S	sand	183	183	83	170	GRN125S

**Material:** PVC-U

**Features:** The single angle can be used both for internal and external angle. The angle must be glued to gutter profiles by inserting it into the specific sockets. Clean the surfaces, then use PVC sealant glue (COFxxx).

