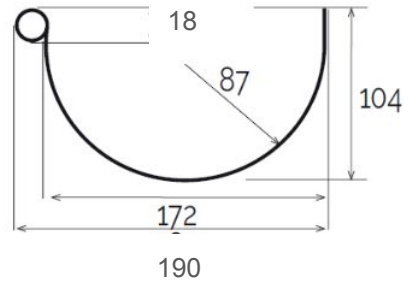
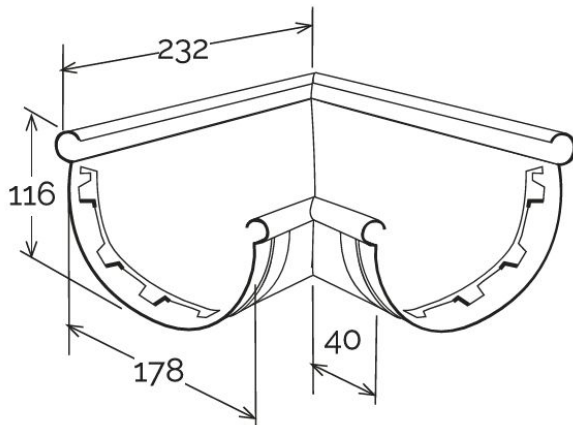


## Single angle for gutter profile $\varnothing$ 133 **CUPRAELITE**

**CUPRAELITE**



Section GRN133

Item	Colour	length mm	width mm	height mm	Weight g	Matched gutter profile
<b>AN133R</b>	copper effect	232	232	116	318	GRN133R

**Material:** Technopolymers

**Features:** The single angle can be used both for internal and external angle. The angle must be glued to gutter profiles by inserting it into the specific sockets. Clean the surfaces, then use PVC sealant glue (COFxxx).

