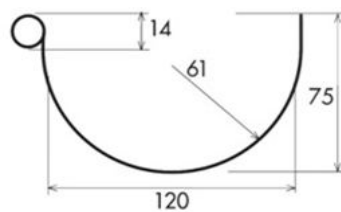


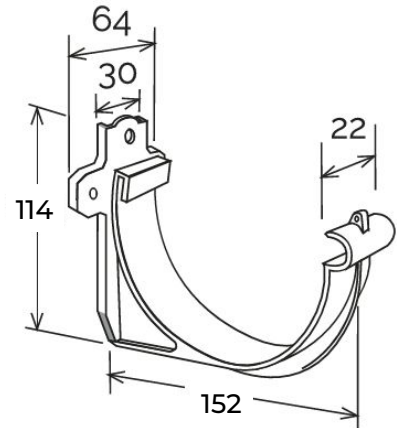
Bracket for gutter profile \varnothing 125



CIP125N



Section GRN125



Item	Colour	length mm	width mm	height mm	Weight g	Matched gutter profile
CIP125AN	anthracite	152	64	116	48	GRN125AN
CIP125B	white	152	64	116	48	GRN125B - GRN125BC
CIP125M	brown	152	64	116	48	GRN125M - GRN125MC
CIP125N	grey	152	64	116	48	GRN125N
CIP125O	red brown	152	64	116	48	GRNO125C
CIP125S	sand	152	64	116	48	GRN125S

Material: PVC-U

Features: The bracket can be fixed directly to the wall with screws through the two lateral holes (\varnothing 5,5 mm) or on the zinc plated roof rafter (item ST1000) inserted in the specific socket on the rear of the bracket, fixing it with screw+nut through the central hole (\varnothing 7,5 mm). The bracket complies with the required load resistance as per standard EN 1462.

