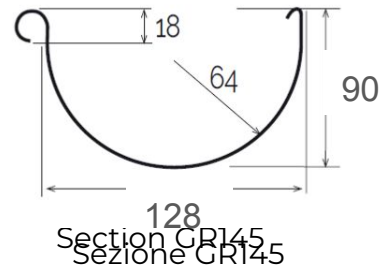
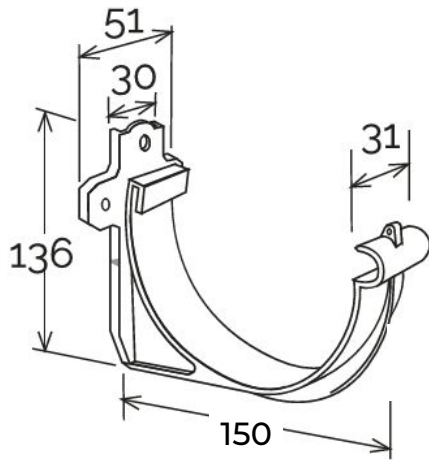


## Bracket for gutter profile $\varnothing$ 145



CIP145M



Item	Colour	length mm	width mm	height mm	Weight g	Matched gutter profile
CIP145GN	grey	150	51	136	88	GR145GN
CIP145M	brown	150	51	136	88	GR145MC

**Material:** PVC-U

**Features:** The bracket can be fixed directly to the wall with screws through the two lateral holes ( $\varnothing$  5,0 mm) or on the zinc plated roof rafter (item ST1000) inserted in the specific socket on the rear of the bracket, fixing it with screw+nut through the central hole ( $\varnothing$  6,0 mm). The bracket complies with the required load resistance as per standard EN 1462.

