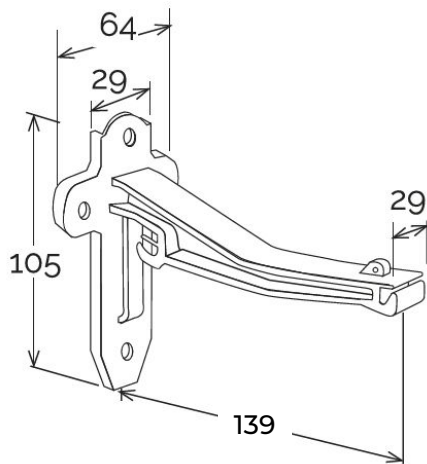
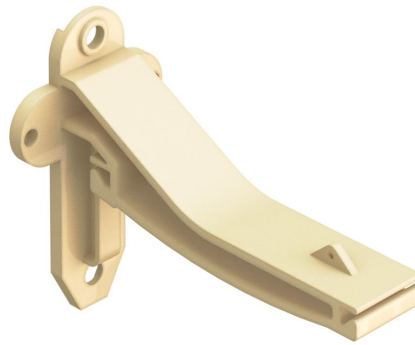
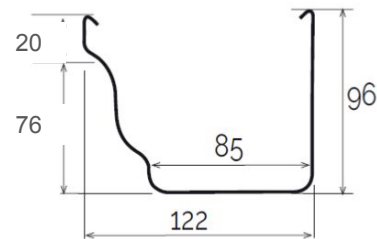


Bracket for gutter profile Best

BEST



CIPB120S



Section GRB120

Item	Colour	length mm	width mm	height mm	Weight g	Matched gutter profile
CIPB120AN	anthracite	139	64	105	64	GRB120AN
CIPB120B	white	139	64	105	64	GRB120B
CIPB120M	brown	139	64	105	64	GRB120MC
CIPB120O	red brown	139	64	105	64	GRB0120C
CIPB120S	sand	139	64	105	64	GRB120S

Material: PVC-U

Features: The bracket can be fixed directly to the wall with screws through the two lateral holes (\varnothing 5,5 mm) or on the zinc plated roof rafter (item ST1000) inserted in the specific socket on the rear of the bracket, fixing it with screw+nut through the central hole (\varnothing 7,5 mm). The bracket complies with the required load resistance as per standard EN 1462.

