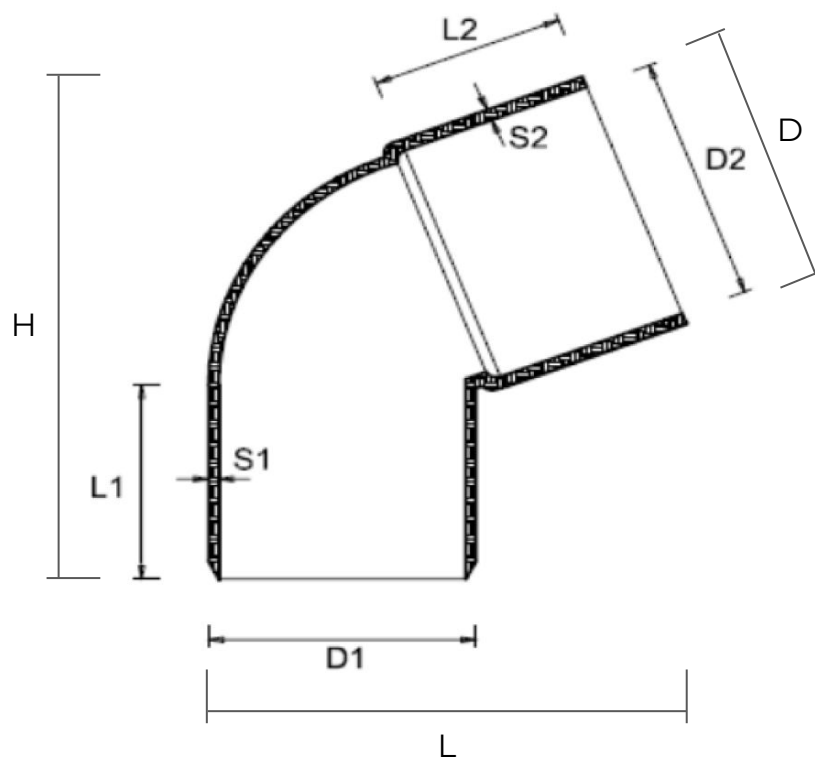


Bend 67° 30'
for gutter down pipes 100x100



CUQM167



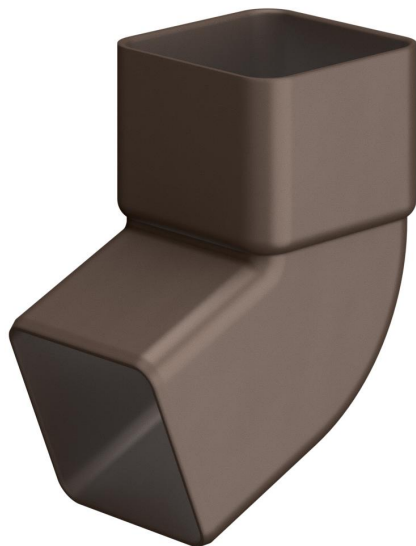
Item	Colour	D1 mm	D2 mm	L1 mm	L2 mm	S1 mm	S2 mm	L mm	D mm	H mm	Weight g
CQGN167	grey	100	100,6	69	65	3,1	3,3	191	107	193	336
CUQM167	brown	100	100,6	69	65	3,1	3,3	191	107	193	336

Material: PVC-U

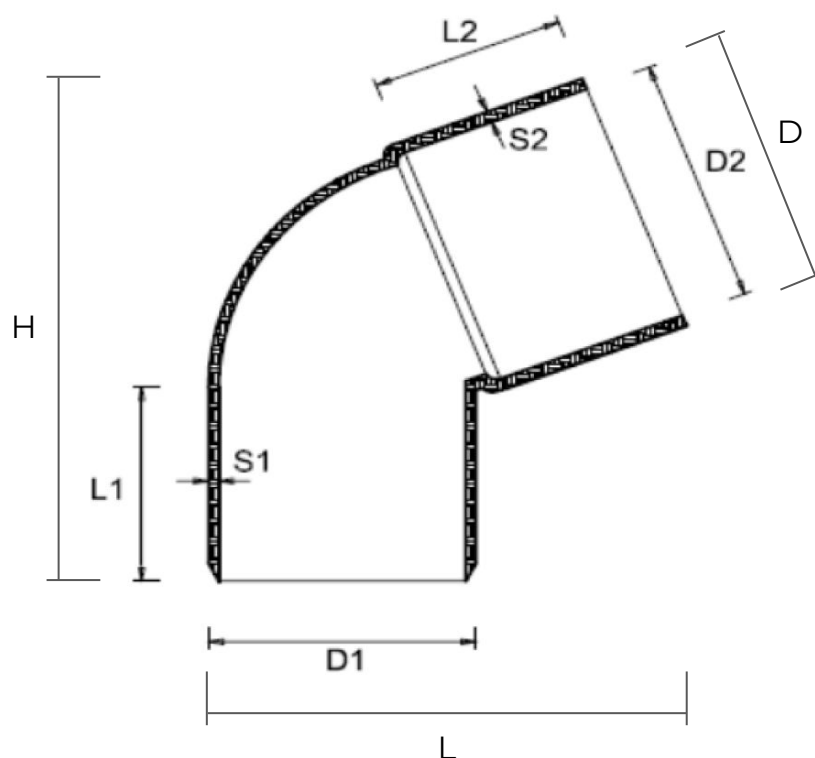
Features: Bend for gutter down pipes made with a high performance production system.



Bend 67° 30'
for gutter down pipes 80x80



CUQM867



Item	Colour	D1 mm	D2 mm	L1 mm	L2 mm	S1 mm	S2 mm	L mm	D mm	H mm	Weight g
CQGN867	grey	80	80,6	63	58	3,1	3,1	142	88	165	230
CUQM867	brown	80	80,6	63	58	3,1	3,1	142	88	165	230

Material: PVC-U

Features: Bend for gutter down pipes made with a high performance production system.

