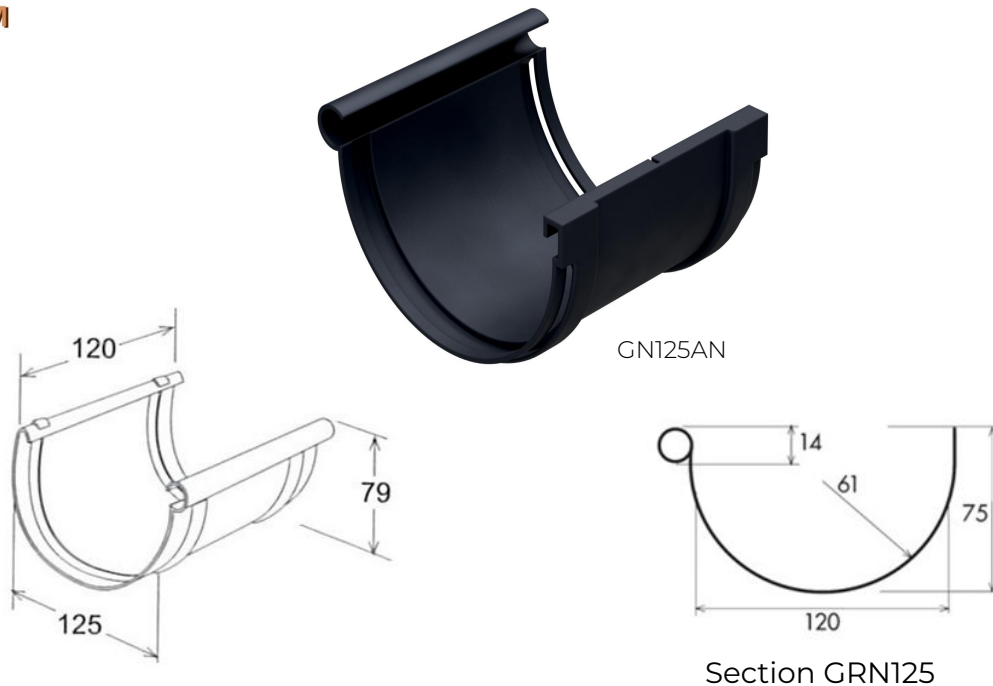


Simple joint BI-SYSTEM for gutter profile \varnothing 125

BI-SYSTEM



Item	Colour	length mm	width mm	height mm	Weight g	Matched gutter profile
GN125AN	anthracite	125	120	79	102	GRN125AN
GN125B	white	125	120	79	102	GRN125B - GRN125BC
GN125M	brown	125	120	79	102	GRN125M - GRN125MC
GN125N	grey	125	120	79	102	GRN125N
GN125O	red brown	125	120	79	102	GRNO125C
GN125S	sand	125	120	79	102	GRN125S

Material: PVC-U

Features:

The BI-SYSTEM joint can be used whether glued or fitted with gasket.

GLUING: The joint must be glued to the gutter by inserting it into the specific sockets. Clean the surfaces, then use PVC sealant glue (COFxxx).

FITTING: Clean the surfaces, then place the adhesive gasket (GU20) into its specific slot. Insert the gutter into the specific sockets.

