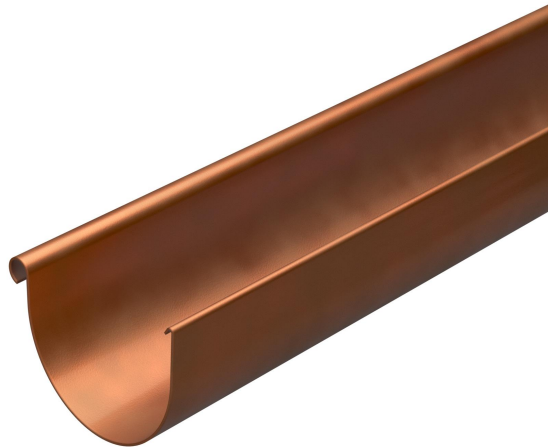
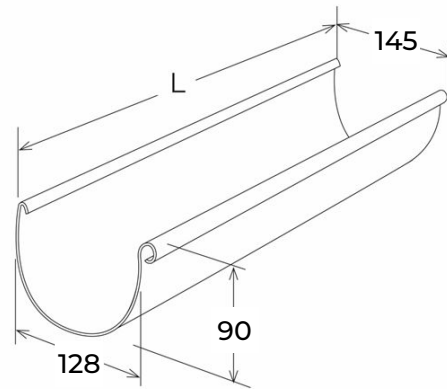
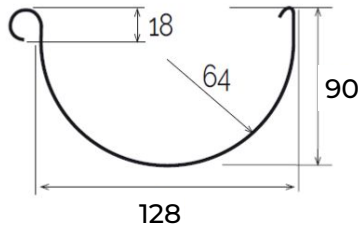


## Gutter profile ø 145 CUPRAELITE



**CUPRAELITE**



Item	Colour	L mm	Gutter section area cm <sup>2</sup>	Max water flow rate l/s
GR145R3	copper effect	3000	70	1,57

**Material:** PVC-U + Technopolymers

**Features:** Gutter composed of two co-extruded layers: PVC inside and mix of various polymers outside. This structure gives the external surface a metallic shine, resistance to UV rays and colour retention over time ( $\Delta E < 5$  after 5000 hour xenotest exposure).

