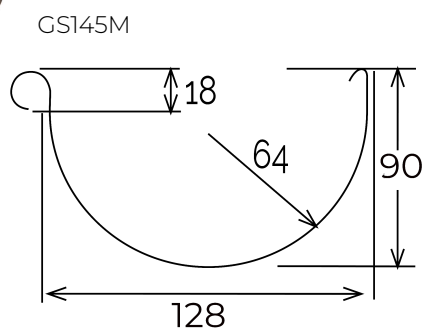
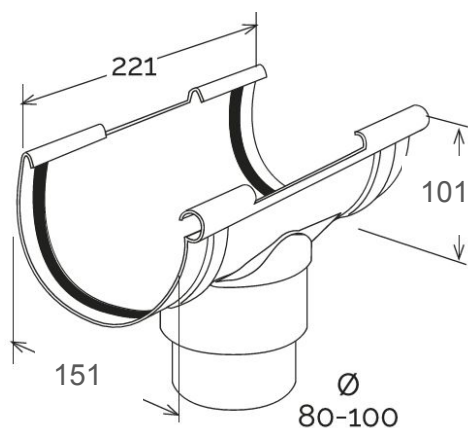


Running outlet BI-SYSTEM for gutter profile \varnothing 145

BI-SYSTEM



Section GR145

Item	Colour	length mm	width mm	height mm	Weight g	Gasket included	Matched gutter profile
GS145GN	grey	151	221	172	252	✓	GR145GN
GSN145GN	grey	151	221	172	242		GR145GN
GS145M	brown	151	221	172	252	✓	GR145MC
GSN145M	brown	151	221	172	242		GR145MC

Material: PVC-U

Features:

The BI-SYSTEM joint can be used whether glued or fitted with gasket.

GLUING: The joint must be glued to the gutter by inserting it into the specific sockets. Clean the surfaces, then use PVC sealant glue (COFxxx).

FITTING: If not present, place the adhesive gasket (GU24) into its specific slot. Insert the gutter into the specific sockets.

