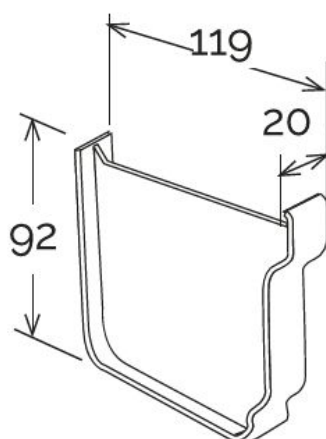
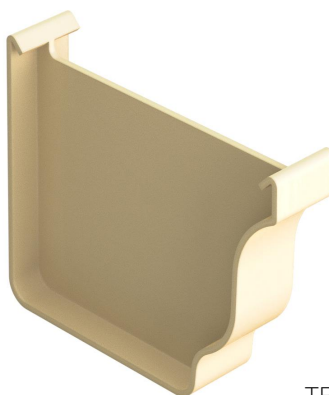
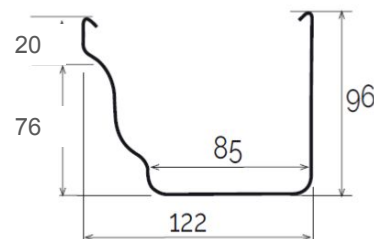


Stopend for gutter profile Best

BEST



TB120S



Sezione GRB120

Item	Colour	length mm	width mm	height mm	Weight g	Matched gutter profile
TB120AN	anthracite	119	20	92	48	GRB120AN
TB120B	white	119	20	92	48	GRB120B
TB120M	brown	119	20	92	48	GRB120MC
TB120O	red brown	119	20	92	48	GRB0120C
TB120S	sand	119	20	92	48	GRB120S

Material: PVC-U

Features: The stopend must be glued to the gutter by inserting it into the specific socket. Clean the surfaces, then use PVC sealant glue (COFxxx).

