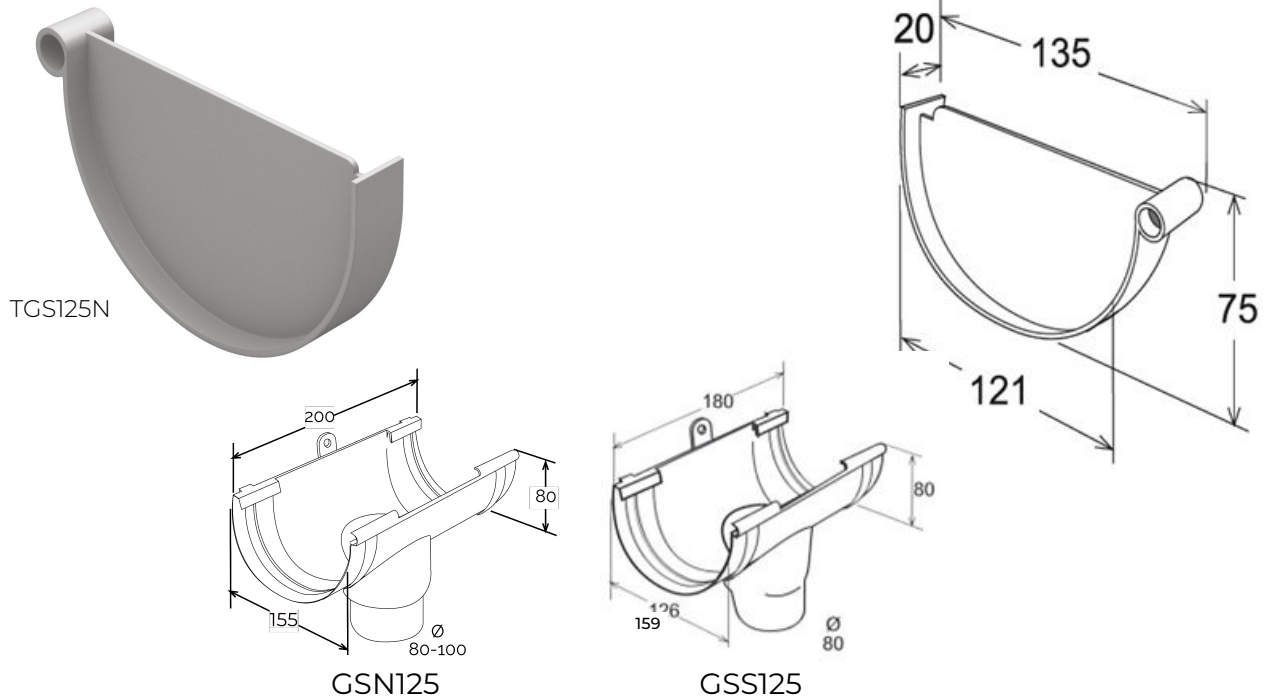


## Running outlet stopend for gutter profile $\varnothing$ 125



Item	Colour	length mm	width mm	height mm	Weight g	Matched gutter profile
TGS125AN	anthracite	135	20	75	30	GSS125AN
TGS125B	white	135	20	75	30	GSN125B - GSS125B
TGS125M	brown	135	20	75	30	GSN125M - GSS125M
TGS125N	grey	135	20	75	30	GSN125N - GSS125N
TGS125O	red brown	135	20	75	30	GSN125O - GSS125O
TGS125S	sand	135	20	75	30	GSN125S - GSS125S

**Material:** PVC-U

**Features:** The stopend must be glued to the outlet by inserting it into the specific sockets. Clean the surfaces, then use PVC sealant glue (COFxxx).

