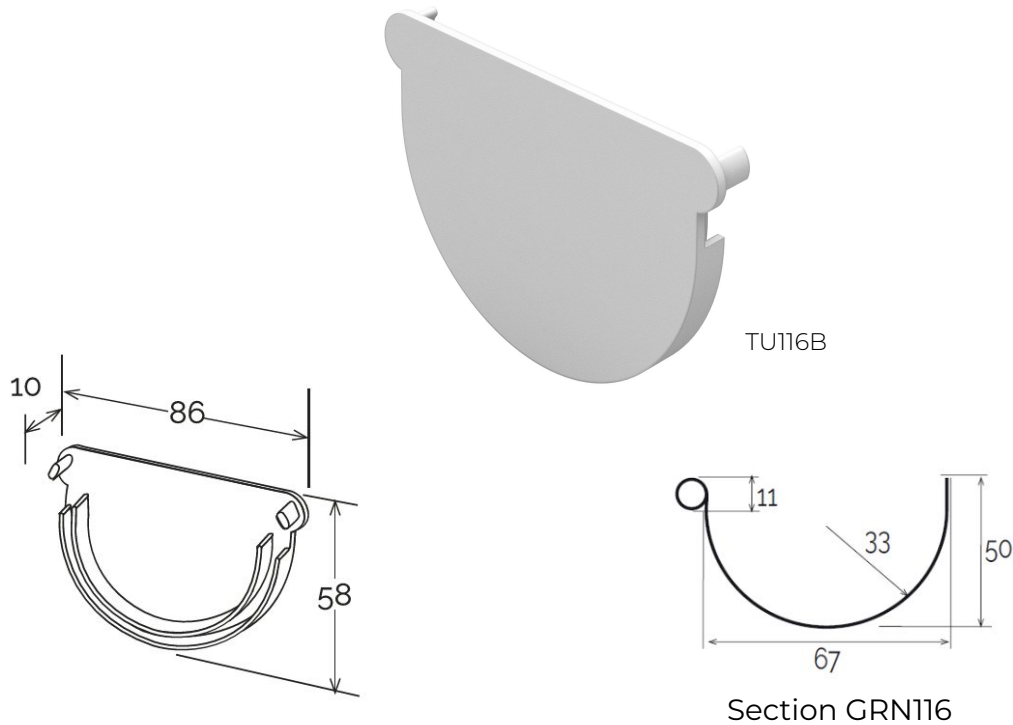


Stopend for outlet and gutter profile 116



TU116B

Section GRN116

Item	Colour	length mm	width mm	height mm	Weight g	Matched running outlet and gutter profile	Certification IIP UNI EN 607:2023
TU116B	white	86	10	58	16	GRN116B - GSN116B	✓
TU116M	brown	86	10	58	16	GRN116M - GSN116M	✓
TU116N	grey	86	10	58	16	GRN116N - GSN116N	✓
TU116S	sand	86	10	58	16	GRN116S - GSN116S	✓

Material: PVC-U

Features: The stopend must be glued to the outlet and/or to the gutter by inserting it into the specific sockets.
Clean the surfaces, then use PVC sealant glue (COFxxx).

